

# MCP-T8

T-Bar & Gypsum Prismatic  
Diffused Fitting with  
Aluminium Reflector



โคมฝังฝ้าที่บาร์และฝังฝ้าเรียบฝาครอบพลาสติก  
แบบมีแผ่นสะท้อนแสง



TIS.903-2532

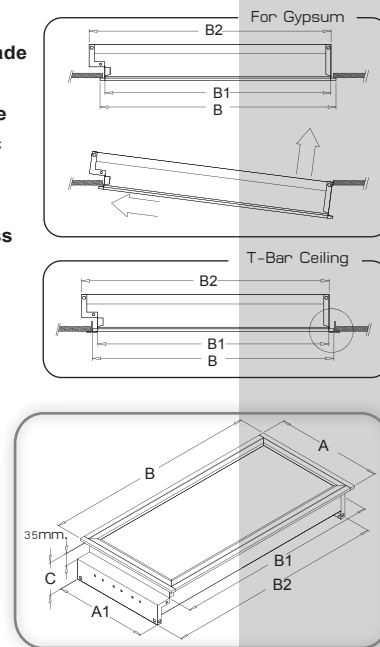


TIS.1955-2542

## SPECIFICATION

- Housing :** Steel sheet thickness of 0.6-0.8 mm. And all metal parts are rust-proofed after fabrication to prevent any corrosion (zinc phosphate) and finished with high-grade epoxy polyester power coating.
- Reflector :** 99.90% purity anodized aluminium reflector to provide total reflectance of TR 87-95% mirror-finish, parabolic reflectors machined to provide optimum optical performance for maximum high-output-ratio.
- Diffuser :** Is made of prismatic acrylic with 2.0-3.0 mm. thickness  
Option diffuser :  
Prismatic = PM , Opal = MU , Stipple = ES , Clear = CS
- Frame for diffuser :** Extrude aluminium with high-grade epoxy polyester power coating.
- Features :** Dust protection part both side of fitting.
- Lock type :** Spring latch locker system (inner)
- Lamp holder :** Rotary lock (G13) lamp holder certified by TIS NO.344-2549.
- Starter holder :** Rotary lock certified by TIS NO.344-2549.
- Wire :** Thw size 0.5-1.0 sqmm. 70 °c-105 °c certified by TIS NO.11-2531.

## DRAWING



## DIMENSION

Model No.	No. of Lamps	A (mm.)	A1 (mm.)	B (mm.)	B1 (mm.)	B2 (mm.)	C (mm.)	Ceiling cutout (mm.)
MCP226XX-AL	2 x 18w	600	580	600	575	613	90	585 x 585
MCP326XX-AL	3 x 18w	600	580	1200	575	613	90	585 x 585
MCP426XX-AL	4 x 18w	600	580	600	575	613	90	585 x 585
MCP246XX-AL	2 x 36w	600	580	600	1175	1223	90	585 x 1185
MCP346XX-AL	3 x 36w	600	580	1200	1175	1223	90	585 x 1185
MCP446XX-AL	4 x 36w	600	580	1200	1175	1223	90	585 x 1185

Note: subject to +/- 2 mm in tolerance