



MFW-AL-T5

Factory Fitting with Aluminium Reflector for T5 (Wide Body)

โคมโรงงานปีกอลูมิเนียมสะท้อนแสง



TS.902-2532

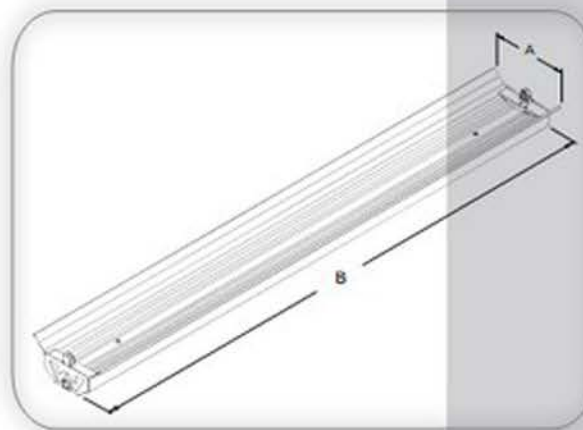
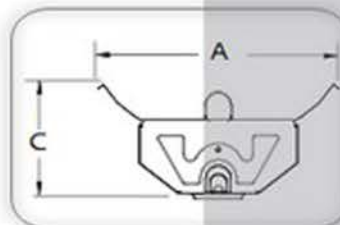


TS.1955-2542

SPECIFICATION

- Housing :** Steel sheet thickness of 0.6-0.8 mm. And all metal parts are rust-proofed after fabrication to prevent any corrosion (zinc phosphate) and finished with high-grade epoxy polyester power coating.
- Reflector :** Double side aluminium reflector 99.90% purity anodized aluminium reflector to provide total reflectance of TR 87-95% mirror-finish, parabolic reflectors machined to provide optimum optical performance for maximum high-output-ratio.
- Lamp holder :** Rotary lock (G5) lamp holder certified by TIS NO.344-2549.
- Wire :** Thw size 0.5-1.0 sqmm, 70 °c-105 °c certified by TIS NO.11-2531.

DRAWING



DIMENSION

Model No.	No. of Lamps	A (mm.)	B (mm.)	C (mm.)
MFW-V1-128AL	1 x 28w T5	170	1173	80
MFW-V1-154AL	1 x 54w T5	170	1173	80

Note: subject to +/- 2 mm in tolerance

MFW-AL-T5

Factory Fitting with Aluminium Reflector for T5 (Wide Body)

โคมโรงงานปีกทออลูมิเนียมสะท้อนแสง



TIS.902-2532

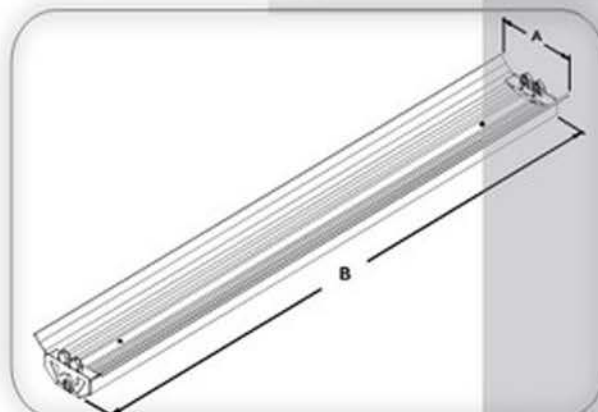
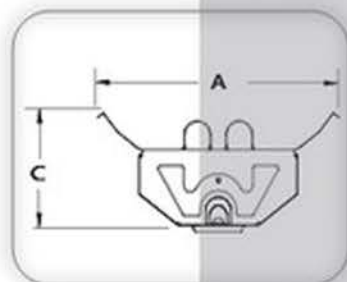


TIS.1955-2542

SPECIFICATION

Housing :	Steel sheet thickness of 0.6-0.8 mm. And all metal parts are rust-proofed after fabrication to prevent any corrosion (zinc phosphate) and finished with high-grade epoxy polyester power coating.
Reflector :	Double side aluminium reflector 99.90% purity anodized aluminium reflector to provide total reflectance of TR 87-95% mirror-finish, parabolic reflectors machined to provide optimum optical performance for maximum high-output-ratio.
Lamp holder :	Rotary lock (G5) lamp holder certified by TIS NO.344-2549.
Wire :	Thw size 0.5-1.0 sqmm. 70 °c-105 °c certified by TIS NO.11-2531.

DRAWING



DIMENSION

Model No.	No. of Lamps	A (mm.)	B (mm.)	C (mm.)
MFW-V1-228AL	2 x 28w T5	170	1173	80
MFW-V1-254AL	2 x 54w T5	170	1173	80

Note: subject to +/- 2 mm in tolerance