

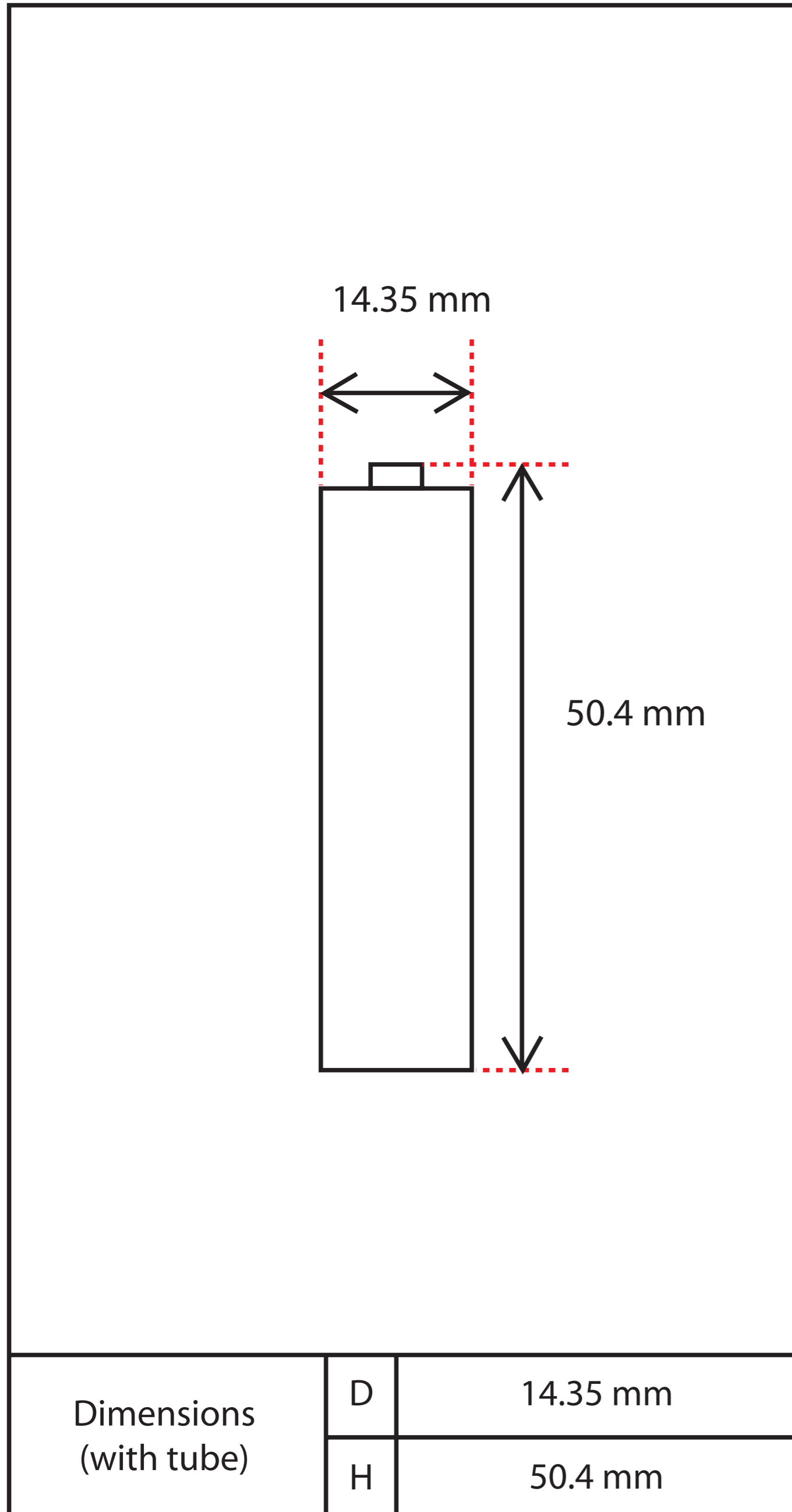


**“Your Digital Power”**

## Cell Type NI-MH

### Low self-discharge series

### Specifications

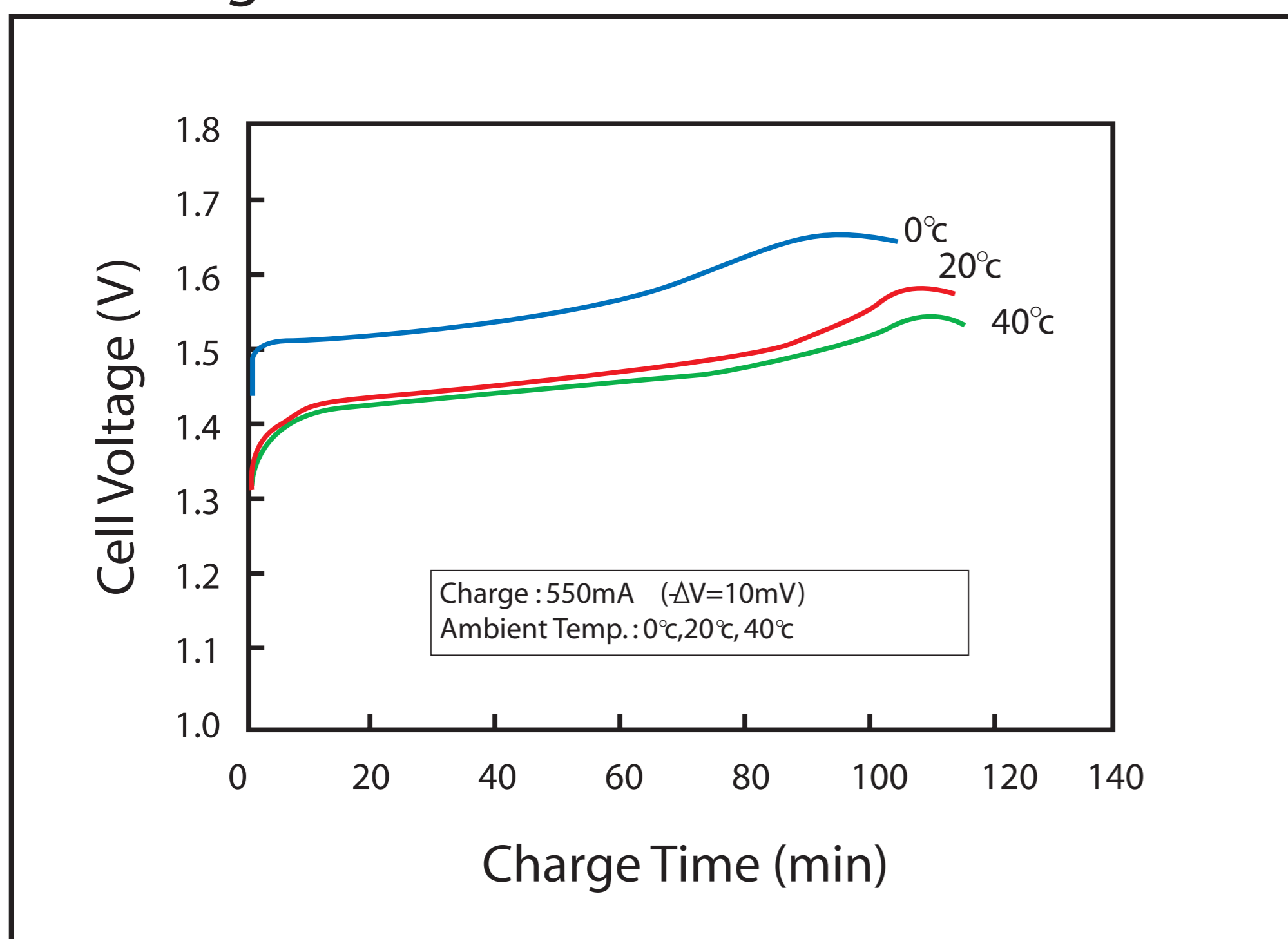


Type : Nickel-Metal Hydride Battery		Size : AA
Capacity	Typical	1100mAh-Pluz
	Minimum	1025mAh
Nominal Voltage		1.2 V
Charging Current x Time	Fast Charge <sup>2)</sup>	550mA, 2.1hr.
Ambient Temp	Charge Condition	Fast Charge <sup>2)</sup>
	Discharge Condition	0°C - 40°C
		0°C - 50°C
		0°C - 50°C
Storage Condition	Less than 30 days	-2 0°C - 50°C
	Less than 90 days	-2 0°C - 40°C
	Less than 1 year	-2 0°C - 30°C
Internal Impedance <sup>3)</sup> (after cisharge to EV=1.0V)		Approx 25m (at 1000Hz)
Weight <sup>4)</sup>		Approx 18.5g
Size <sup>4)</sup> : (Diameter) x (Height)		14.35(D) x 50.4(H) mm.

1. Single cell capacity under the following condition.  
Charge : 110mA, 12-14h, Discharge : 220mA(E.V.=1.0V) at 20°C
2. Use recommended charging system.
3. After a few charge and discharge cycles under the above 1. Condition.
4. With tube.

### Typical Characteristics

#### Charge



#### Discharge

