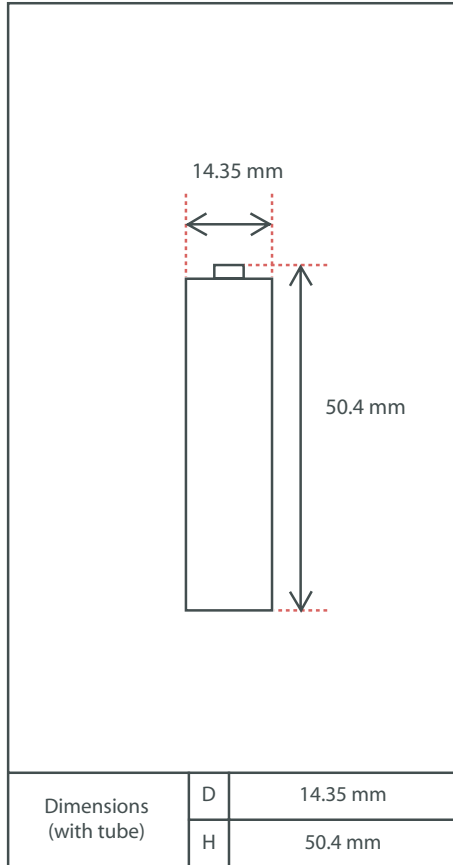




**“Your Digital Power”**



## Cell Type NI-MH

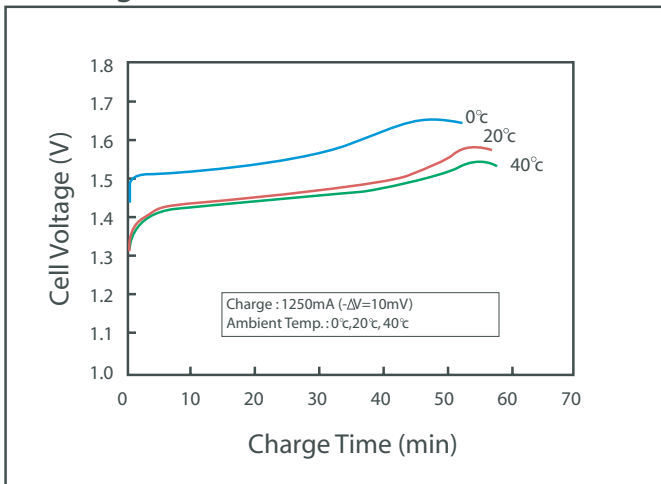
### Specifications

Type : Nickel-Metal Hydride Battery		Size : AA	
Capacity	Typical	2500mAh	
	Minimum	2250mAh	
Nominal Voltage		1.2 V	
Charging Current x Time	Fast Charge <sup>2)</sup>	1250mA, 2.1hr.	
Ambient Temp	Charge Condition	Fast Charge <sup>2)</sup>	
	Discharge Condition	0°C - 50°C	
		Less than 30 days	-2 0°C - 50°C
	Storage Condition	Less than 90 days	-2 0°C - 40°C
		Less than 1 year	-2 0°C - 30°C
Internal Impedance <sup>3)</sup> (after discharge to EV=1.0V)		Approx 25m (at 1000Hz)	
Weight <sup>4)</sup>		Approx 28.0g	
Size <sup>4)</sup> : (Diameter) x (Height)		14.35(D) x 50.4(H) mm.	

1. Single cell capacity under the following condition.  
Charge : 250mA, 12-14h, Discharge : 500mA(E.V.=1.0V) at 20 °c
2. Use recommended charging system.
3. After a few charge and discharge cycles under the above 1. Condition.
4. With tube.

### Typical Characteristics

#### Charge



#### Discharge

