

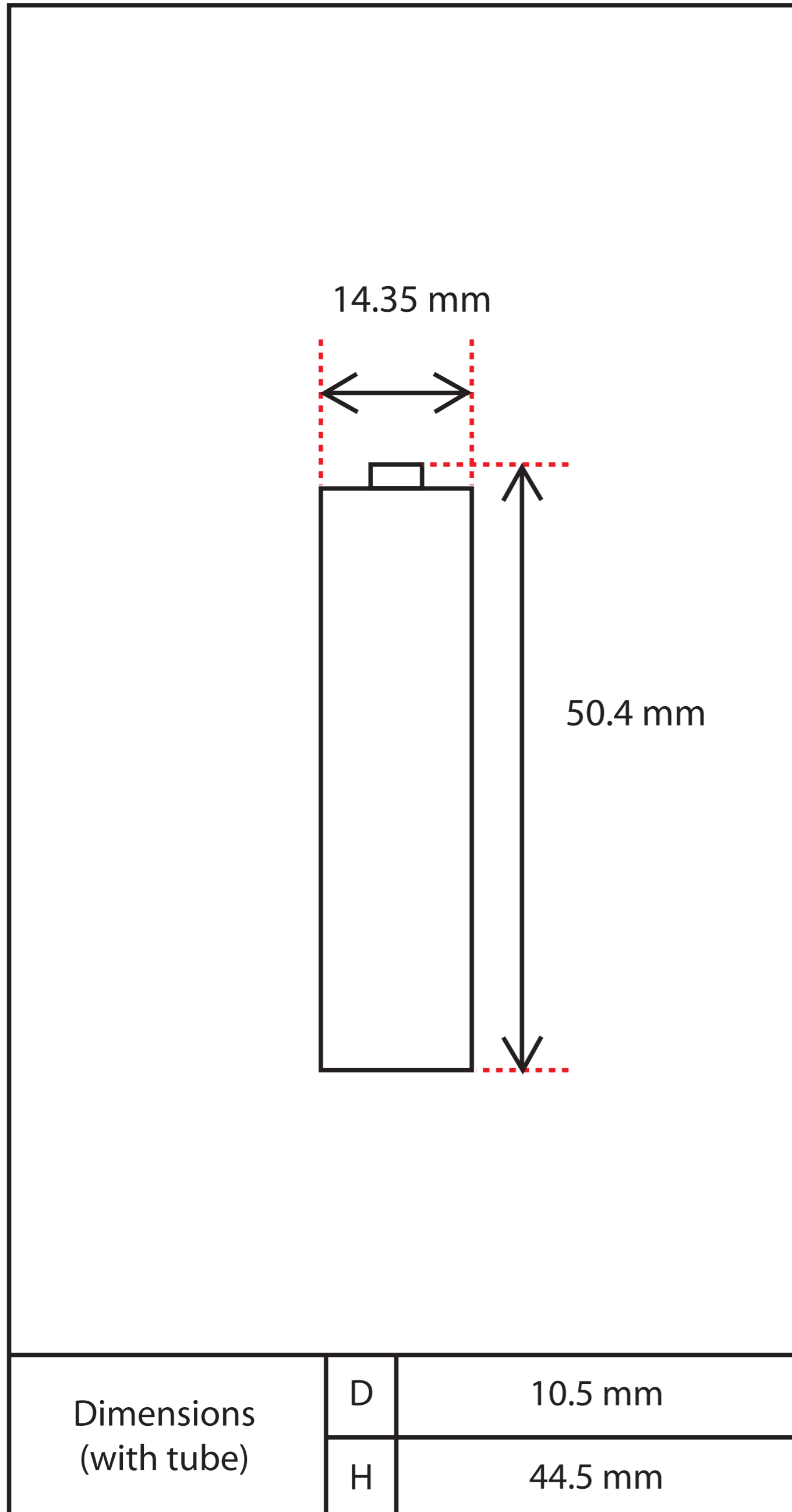


“Your Digital Power”

Cell Type NI-MH

Low Self-discharge Series

Specifications

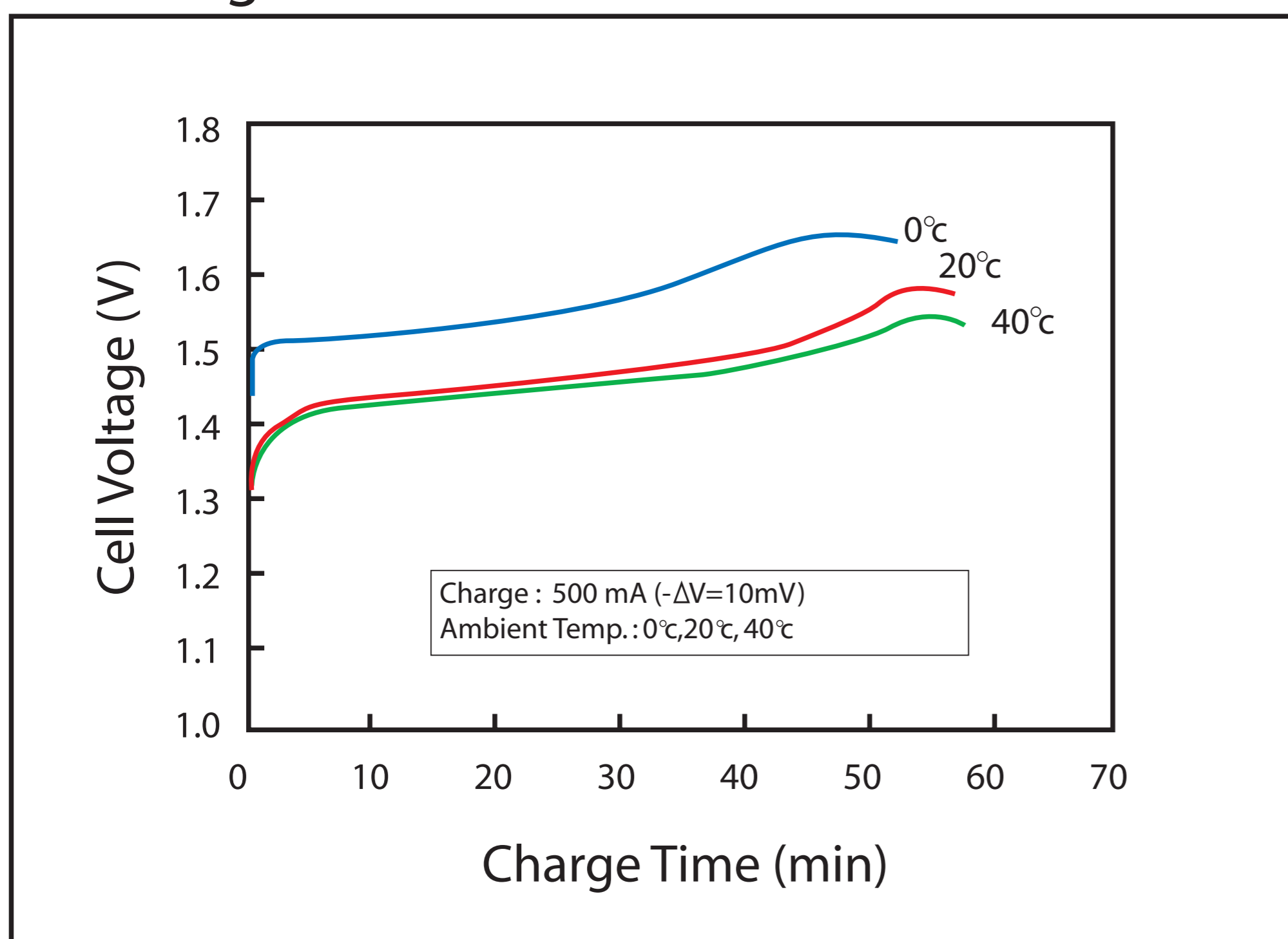


Type : Nickel-Metal Hydride Battery		Size : AAA
Capacity	Typical	1000mAh
	Minimum	900mAh
Nominal Voltage		1.2 V
Charging Current x Time	Fast Charge ²⁾	500mA, 2.1hr.
Ambient Temp	Charge Condition	Fast Charge ²⁾
	Discharge Condition	0°C - 40°C
		0°C - 50°C
	Less than 30 days	-2 0°C - 50°C
Storage Condition	Less than 90 days	-2 0°C - 40°C
	Less than 1 year	-2 0°C - 30°C
Internal Impedance ³⁾ (after cisharge to EV=1.0V)		Approx 25m (at 1000Hz)
Weight ⁴⁾		Approx 14.0 g
Size ⁴⁾ : (Diameter) x (Height)		10.5(D) x 44.5(H) mm.

1. Single cell capacity under the following condition.
Charge : 100mA, 12-14h, Discharge : 200m(E.V.=1.0V) at 20°C
2. Use recommended charging system.
3. After a few charge and discharge cycles under the above 1. Condition.
4. With tube.

Typical Characteristics

Charge



Discharge

