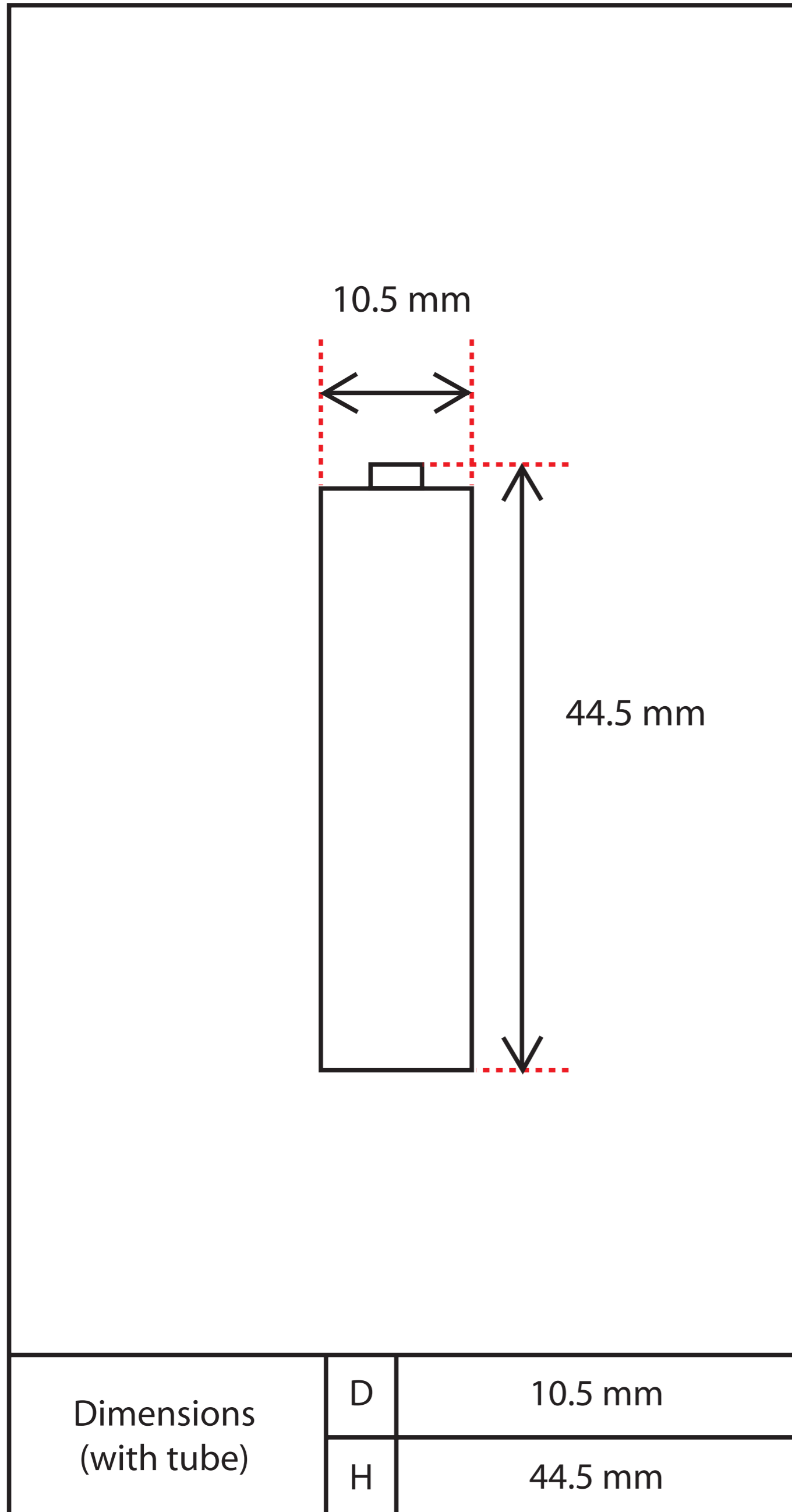




**"Your Digital Power"**

## Cell Type NI-MH

### Specifications

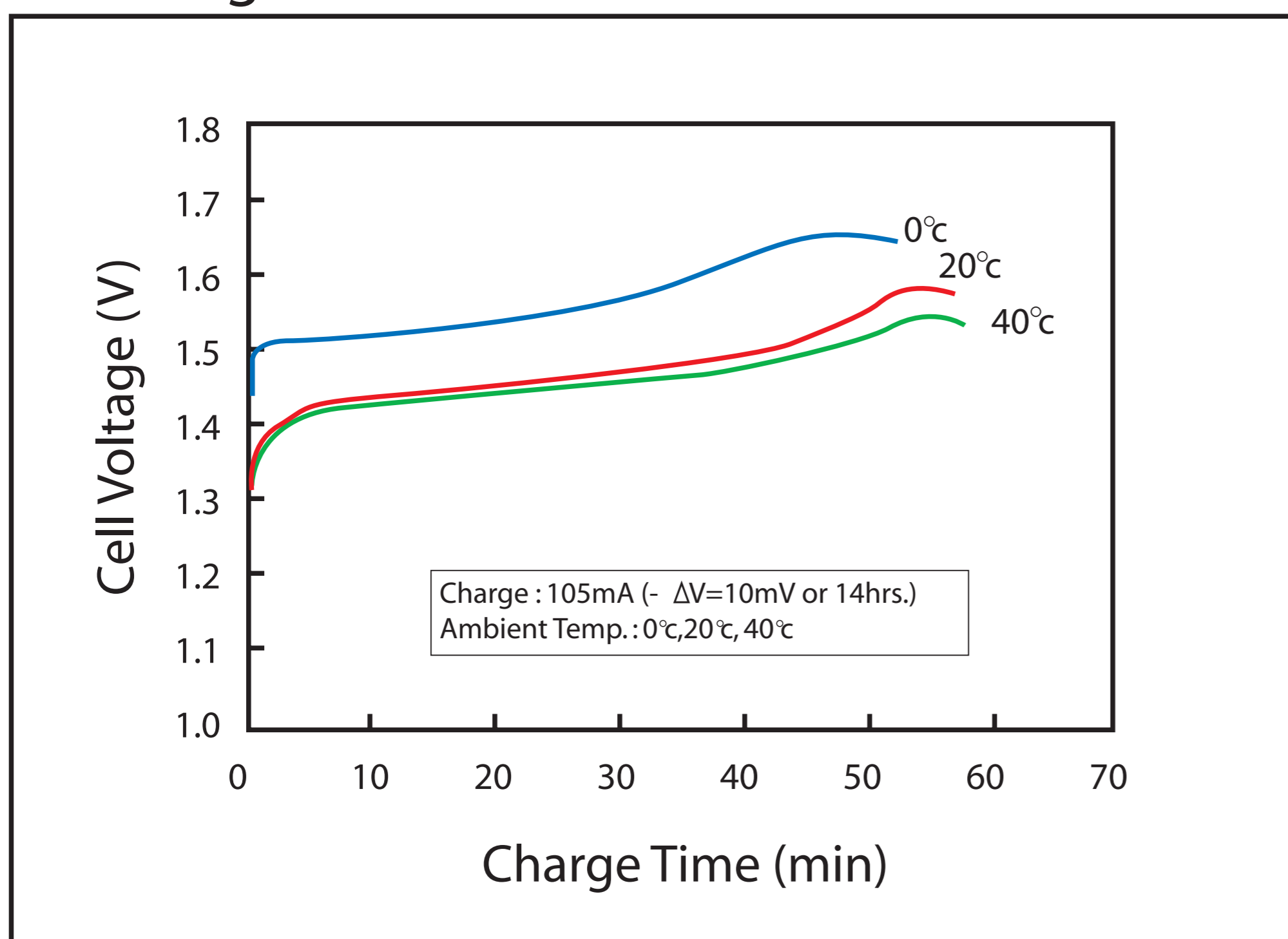


Type : Nickel-Metal Hydride Battery		Size : AAA
Capacity	Typical	1050mAh
	Minimum	945mAh
Nominal Voltage		1.2 V
Charging Current x Time	Fast Charge <sup>2)</sup>	525mA, 2.1hr.
Ambient Temp	Charge Condition	Fast Charge <sup>2)</sup>
	Discharge Condition	0°C - 40°C
	Less than 30 days	0°C - 50°C
	Storage Condition	Less than 90 days
	Less than 1 year	-2 0°C - 40°C
		-2 0°C - 30°C
Internal Impedance <sup>3)</sup> (after discharge to EV=1.0V)		Approx 25m (at 1000Hz)
Weight <sup>4)</sup>		Approx 14.0g
Size <sup>4)</sup> : (Diameter) x (Height)		10.5(D) x 44.5(H) mm.

1. Single cell capacity under the following condition.  
Charge : 105mA, 12-14h, Discharge : 210m(E.V.=1.0V) at 20°C
2. Use recommended charging system.
3. After a few charge and discharge cycles under the above 1. Condition.
4. With tube.

### Typical Characteristics

#### Charge



#### Discharge

